

HIT PLUS



PERIPHERAL OPTIONS



POS & CDP



POS & 9.7" Dual monitor



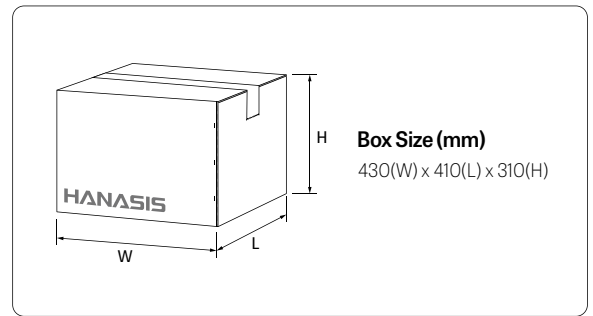
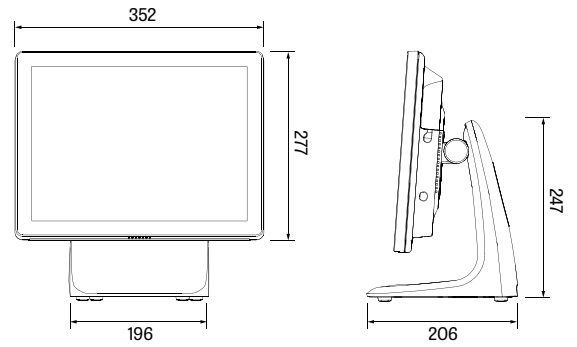
POS & 15" Dual monitor

SPECIFICATIONS

CPU & Chipset	Intel® Celeron Quad-Core Processor N5095 (4M Cache Upto 2.90 GHz) System on chip (SoC)
Memory	DDR4L 4GB SoDIMM (Up to 16GB)
Storage	2.5", SATA-III SSD 128GB (Up to 512GB) (Optional RAID; Ask for details)
Display	15", 1024 x 768, 24bit, Luminance : 350 cd/m ² , Backlight : LED
Touch Panel	15", Projective Capacitive Touch (Bezelleless)
HDMI	1EA (Intel® HD Graphics)
LAN	1EA (RealTek RTL8111H Gigabit LAN)
Serial	5EA(DSUB-P9 x 2EA / RJ-45 x 2EA / RJ-11 x 1EA(MSR))
USB	USB 3.0 x 4EA(I/O), USB 2.0 x 2EA(Rear)
Audio	1EA (Line Out)
Speaker	1EA (1W)
Cooler & FAN	Fanless
Cash Drawer	1EA(RJ-11) (DK Port Default : 24V/GPIO)
Power Adaptor	60[W] Adaptor, Input AC100-240V/50-60HZ, DC 24V/2.5A (DIN 3-Pin)
Dimension (W x L x H) (mm)	430(W) x 410(L) x 310(H) (BOX)
Weight (kg)	4.8kg

DIMENSION

Unit : mm



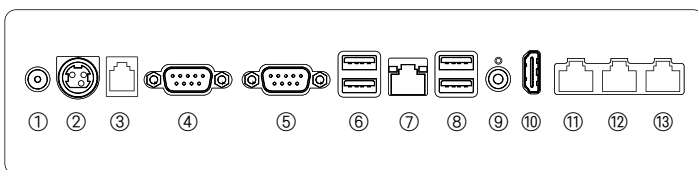
OPTIONS

OS	Windows10 IoT / Windows 10 PRO (Windows 11 PRO PC Version Only)
Dual Display	9.7"/15", TFT-LCD, 1024 x 768, LED Panel (Non-touch/PCAP Touch)
Customer Display	CDP Type 20 Characters x 2 Lines (Serial RS-232)
Customer Card Reader	Dual-Track(1&2) or Triple-Track(1&2&3) (USB)
Case Color	All Black / Black & White

ORDER CODES

Product Code	Description
HAN-HT5PBBAE4NNV3	N5095, 4GB, 128GB, OS, All Black, V3 Stand
HAN-HT5PBBBE4NNV3	N5095, 4GB, 256GB, OS, All Black, V3 Stand
HAN-HT5PBBAE8NNV3	N5095, 8GB, 128GB, OS, All Black, V3 Stand
HAN-HT5PBBBE8NNV3	N5095, 8GB, 256GB, OS, All Black, V3 Stand

I/O INTERFACES



Description

- | | |
|-----------------------|-------------------------|
| ① DC-OUT (12V) | ⑧ USB 3.0 |
| ② DC-IN (24V) | ⑨ Audio Jack (Line Out) |
| ③ Cash Drawer (RJ-11) | ⑩ HDMI |
| ④ COM#1 (DSUB9P) | ⑪ COM#3 (RJ-45) |
| ⑤ COM#2 (DSUB9P) | ⑫ COM#4 (RJ-45) |
| ⑥ USB 3.0 | ⑬ COM#5 / MSR (RJ-45) |
| ⑦ LAN (RJ-45) | |

COLOR



All Black



Black & White



* Product's Design and Specifications Can be Changed Without Any Notification.

HANASIS

HANASIS Co., Ltd. | <http://www.hanasis.com>
17, Saneop-ro 155beon-gil, Gwonseon-gu, Suwon-si,
Gyeonggi-do, 16648, South KOREA

Tel. +82 70 4732 5264
Fax. +82 31 297 4381
Email. gsales@hanasis.com



HANASIS recommend Microsoft® Windows 10

